

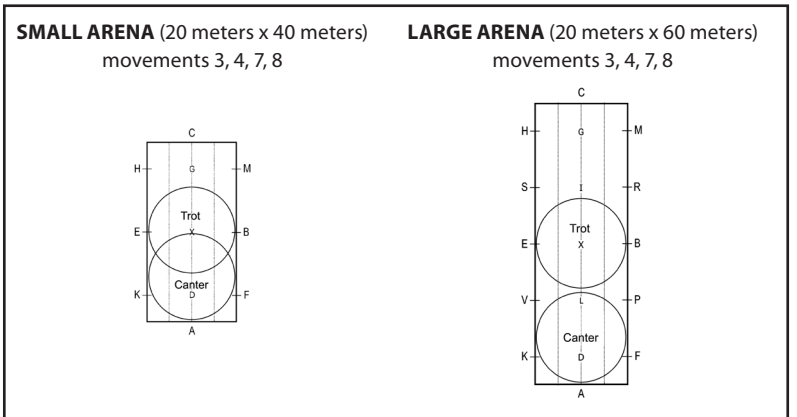
COLLECTIVE MARKS:

Gaits (freedom and regularity).				
Impulsion (desire to move forward with suppleness of the back and steady tempo).				
Submission (acceptance of steady contact, attention, and confidence).		2		
Rider's position (keeping in balance with horse).				
Rider's effectiveness of aids (correct bend and preparation of transitions).				
Geometry and accuracy (correct size and shape of circles and turns).				

200

FURTHER REMARKS:

SUBTOTAL _____
ERRORS (= _____)
TOTAL POINTS _____



©2018 United States Dressage Federation (USDF) and United States Equestrian Federation (USEF).

All rights reserved. Reproduction without permission is prohibited by law. Neither USDF nor USEF is responsible for any errors or omissions in the publication or for the use of its copyrighted material in an unauthorized manner.

UNITED STATES DRESSAGE FEDERATION™

2019

INTRODUCTORY LEVEL – TEST C

WALK—TROT—CANTER

USDF

INTRODUCTORY

LEVEL TEST

C

This unique series of tests provides an opportunity for the horse and/or rider new to dressage to demonstrate elementary skills. The tests have been designed to encourage correct performance and to prepare the horse for the transition to the USEF tests. *Anything in parentheses should not be read.*

SUGGESTED SCHEDULING TIME

6:00 Standard Arena
 5:00 Small Arena
 (Possibly longer for schooling shows)

INSTRUCTION:

- All trot work to be ridden rising. Transitions from trot to canter and canter to trot may be performed through sitting trot with the objective of performing a smooth transition.
- Turns from center line to long side and long side to centerline should be ridden as a half circle, touching the track at a point midway between the centerline and the corner, and vice versa.

COMMENT:

Horses should be ridden on a light but steady contact, with the exception of the free walk in which the horse is allowed complete freedom to stretch neck forward and downward.

Name of Competition _____

Class _____

Date _____

Number and Name of Horse _____

Name of Rider _____

MAXIMUM POSSIBLE POINTS: 200

FINAL SCORE

Points _____ Percent _____

Name of Judge/Position _____

Signature of Judge _____



United States Dressage Federation™
 4051 Iron Works Parkway • Lexington, KY 40511
 Phone (859) 971-2277 • Fax (859) 971-7722
 usdressage@usdf.org • www.usdf.org

2019 USDF INTRODUCTORY LEVEL – TEST C

WALK—TROT—CANTER

REQUIREMENTS:

Free walk
 Medium walk
 Working trot rising
 Working canter
 20 meter circle
 Halt through walk

PURPOSE: To introduce the rider and/or horse to the sport of dressage. To show understanding of riding the horse forward with a steady tempo into an elastic contact with independent, steady hands and a correctly balanced seat. To show proper geometry of figures in the arena with correct bend (corners and circles).

NO.

	TEST	DIRECTIVE IDEAS	POINTS	COEFFICIENT	TOTAL	REMARKS
1. A X	Enter working trot rising. Halt through medium walk. Salute - Proceed working trot rising.	Straightness on centerline and in transitions; clear trot rhythm.				
2. C	Track right, working trot rising.	Balance and bend in turn.				
3. B	Circle right 20 meters.	Roundness and size of circle; clear trot rhythm and bend.				
4. A Before A	Circle right 20 meters developing working canter in first quarter of the circle, right lead. Working trot rising.	Roundness and size of circle; clear canter rhythm and bend.				
5.	<i>(Transition in & out of canter).</i>	Balance and smoothness.				
6. K-X-M	Change rein, working trot rising.	Trot rhythm and straightness on diagonal; bend through corners.				
7. E	Circle left 20 meters.	Roundness and size of circle; clear trot rhythm and bend.				
8. A Before A	Circle left 20 meters developing working canter in first quarter of the circle, left lead. Working trot rising.	Roundness and size of circle; clear canter rhythm and bend.				
9.	<i>(Transition in & out of canter).</i>	Balance and smoothness.				
10. Between F & B	Medium walk.	Willing and balanced transition; clear walk rhythm.				
11. B-H H	Free walk. Medium walk.	Complete freedom to stretch neck forward and downward; clear walk rhythm, straightness on the diagonal; ground cover. Willing and balanced transition; clear walk rhythm.				
12. Between C & M	Working trot rising to A.	Willing and balanced transition; clear trot rhythm.				
13. A X	Down centerline. Halt through medium walk. Salute.	Straightness on centerline; willingness, balanced transition and halt.				

Leave arena in free walk. Exit at A.